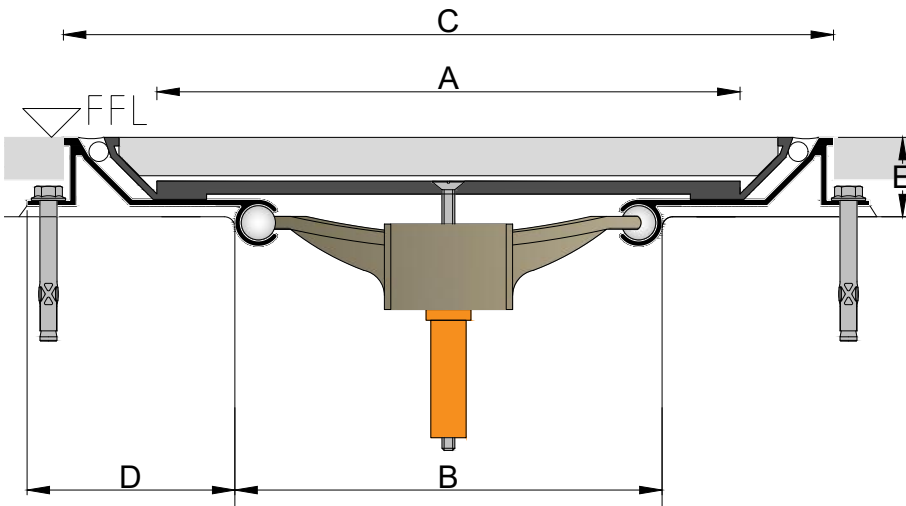
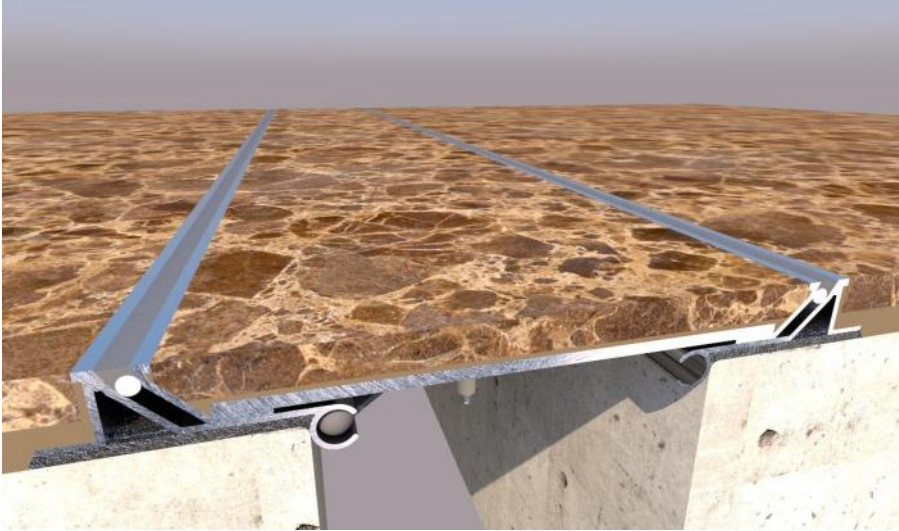


# SeiMax TL Coverplate EJs

**SeiMax TL:** An architectural floor expansion joint system. It has a shallow 'pan' type coverplate to suit thin floor finishes such as vinyl, tile and epoxy etc. The caulked edges split thermal movement in two, and minimise visual presence. SiTL accommodates multi-directional and seismic movement. The system is finished in mill finish alloy. Suitable for use in commercial and government buildings such as shopping malls, airport terminals, convention and exhibition centres, hospitals.



## Si TL

Previous Model No: SUACT LP



### Performance

- Thermal & seismic movement
- Concealed fixings
- Minimum visual impact
- High Capacity

### Compatible Finishes

- Tiles
- Vinyl
- Epoxy
- Exposed Concrete

### Standard Length

4.8m

### Standard Finish

Mill Finish Aluminium

### Options



Product	A: Coverplate	B: Gap				C: Exposed Width			Seismic Movement
	Width	Min.	Mid.	Max.	Mvmt.	Min.	Mid.	Max.	
Si170TL	170	76	100	124	48	238	262	286	78
Si270TL	270	176	200	224	48	338	362	386	162
Si370TL	370	276	300	324	48	438	462	486	262
Si470TL	470	376	400	424	48	538	562	586	362
Si570TL	570	476	500	524	48	638	662	686	462
Si670TL	670	576	600	624	48	738	762	786	562
Si770TL	770	676	700	724	48	838	862	886	662

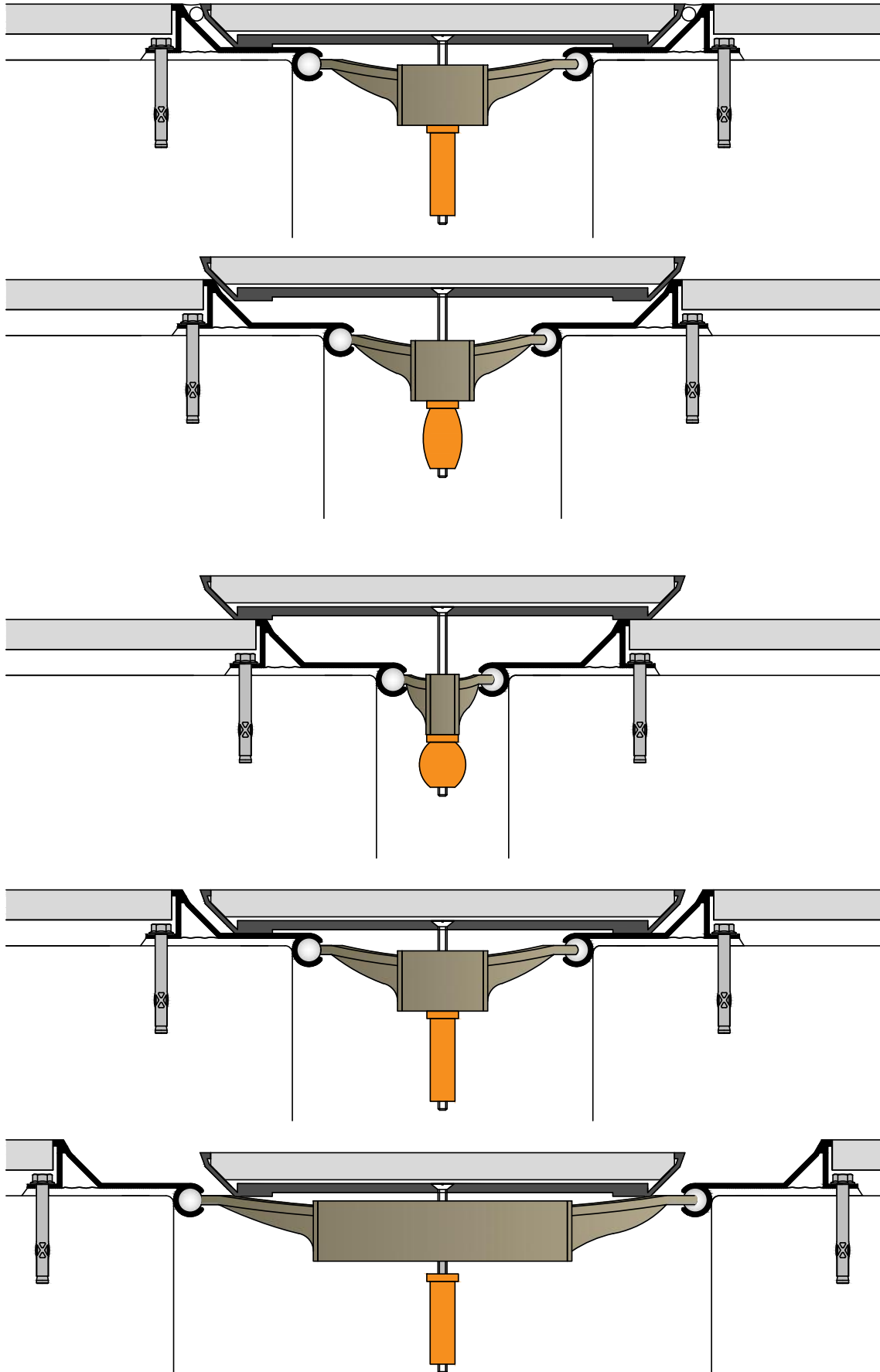
**Block Out: 95D x 40E**

Disclaimer: All design rights reserved. Design and specifications are subject to change without notice. The manufacturer does not accept liability where the material on these pages is misconceived, exploited, or lacks conformity. The intention of this information is to provide a reasonable description of products, procedures and capabilities. Rev.1

# SeiMax TL Coverplate EJs



## Si TL Seismic Movement Demonstration:



Disclaimer: All design rights reserved. Design and specifications are subject to change without notice. The manufacturer does not accept liability where the material on these pages is misconceived, exploited, or lacks conformity. The intention of this information is to provide a reasonable description of products, procedures and capabilities. Rev.1