



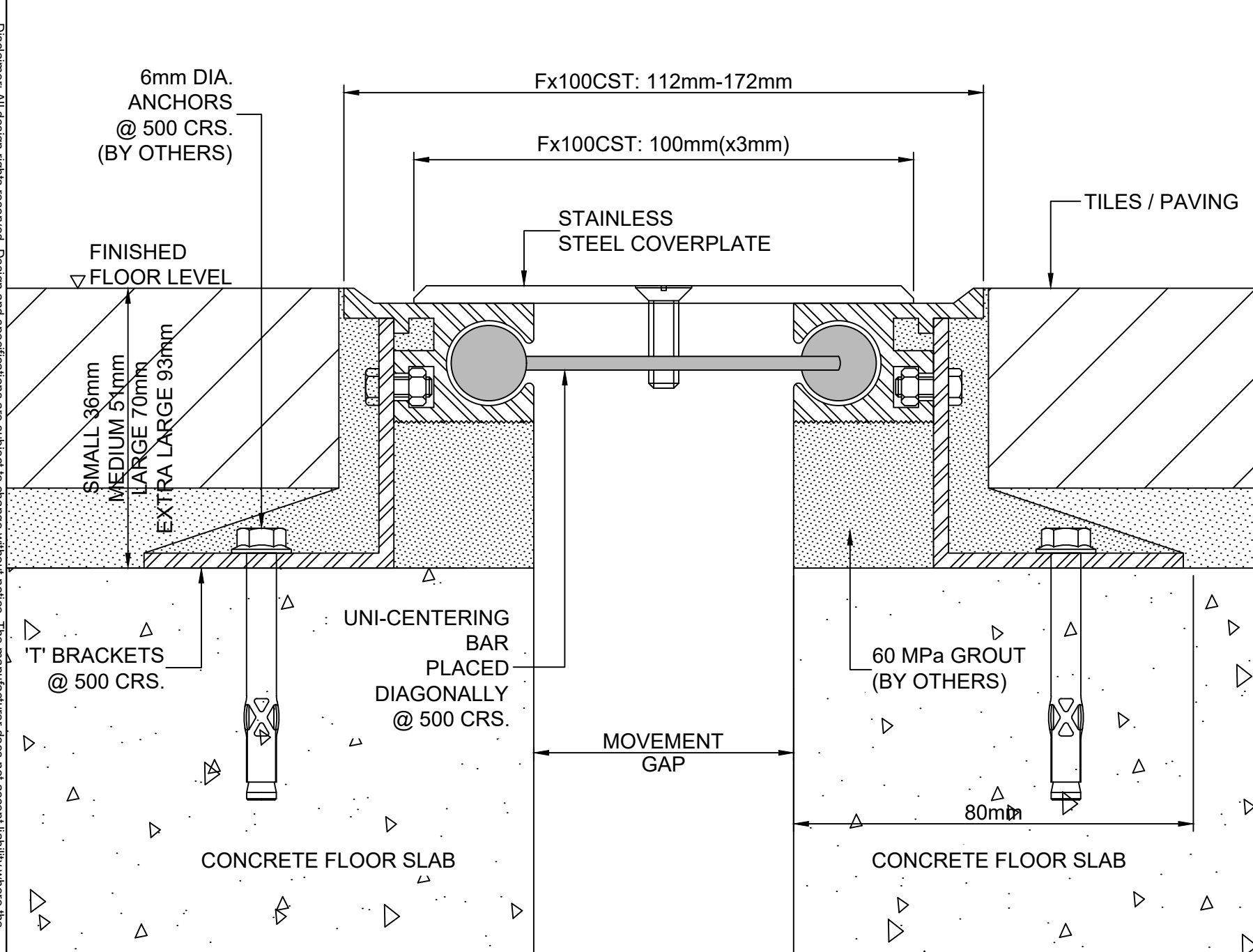
UNISON JOINTS Pty. Ltd.
 Ph: 1300 214 015
 info@unisonjoints.com.au
 2/282 New Cleveland Rd
 Tingalpa, Queensland 4173



Model:

FX100CST
 (UACS100T)

Project:
 Material:
Anodised Aluminium
Do Not Scale



6mm DIA. ANCHORS @ 500 CRS. (BY OTHERS)

Fx100CST: 112mm-172mm

Fx100CST: 100mm(x3mm)

TILES / PAVING

STAINLESS STEEL COVERPLATE

FINISHED FLOOR LEVEL

SMALL 36mm
 MEDIUM 51mm
 LARGE 70mm
 EXTRA LARGE 93mm

UNI-CENTERING BAR PLACED DIAGONALLY @ 500 CRS.

T BRACKETS @ 500 CRS.

60 MPa GROUT (BY OTHERS)

MOVEMENT GAP

80mm

CONCRETE FLOOR SLAB

CONCRETE FLOOR SLAB

Disclaimer: All design rights reserved. Design and specifications are subject to change without notice. The manufacturer does not accept liability where the material on these pages is misconceived, exploited or lacks conformity. The intention of this information is to provide a reasonable description of products, procedures and capabilities. Rev.4