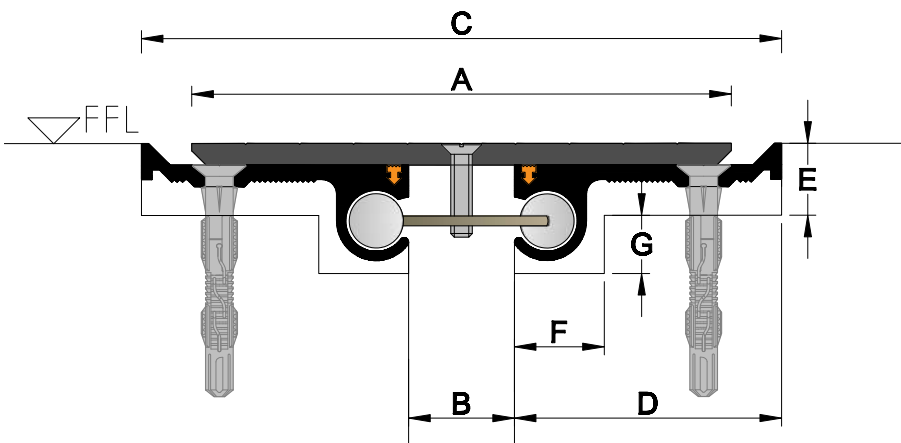


# Designer's Choice H type Coverplate EJs

**Designer H:** Revolutionary design combines slim visual width, low profile and hidden fixings. This heavy duty floor coverplate system is designed for use in polished concrete, roll-coat epoxy, tiles, vinyl and other floor finishes. Low profile and slender width allows for minimal substrate rebating. Leaves no visual grout line when applied to polish or trowel-finished concrete. Suitable for bulky-goods retail (ie Masters, Ikea) with rebating constraints. Stadiums, transit-centres, carparks and other buildings with suspended-slab concrete.



## Dz H

Previous Model No: UADJ EHD



### Performance

- Extra heavy duty
- Concealed Fixings
- Low profile / Retrofit
- High Capacity

**Bead blasted cover plate**  
**Slip resistance Class V**  
**Tested to AS4586 2013**

### Compatible Finishes

- Tiles
- Vinyl
- Carpet
- Epoxy
- Exposed Concrete

### Standard Length

4.8m

### Standard Finish

Anodised

### Options



Product	A: Coverplate		B: Gap				C: Exposed Width		
	Width	Thick	Min.	Mid.	Max.	Mvmt.	Min.	Mid.	Max.
Dz150H	150	6	6	71	116	110	166	221	276
Dz220H	220	6	76	131	186	110	236	291	346

**Block Out: 75D x 15E x 25F x 20G**

Disclaimer: All design rights reserved. Design and specifications are subject to change without notice. The manufacturer does not accept liability where the material on these pages is misconceived, exploited, or lacks conformity. The intention of this information is to provide a reasonable description of products, procedures and capabilities. Rev.3