

unison
JOINTS



Ph: 1300 214 015
Info@unisonjoints.com.au
2/282 New Cleveland Rd
Tingalpa, Queensland 4173

**UNISON
JOINTS
Pty. Ltd.**

Model:

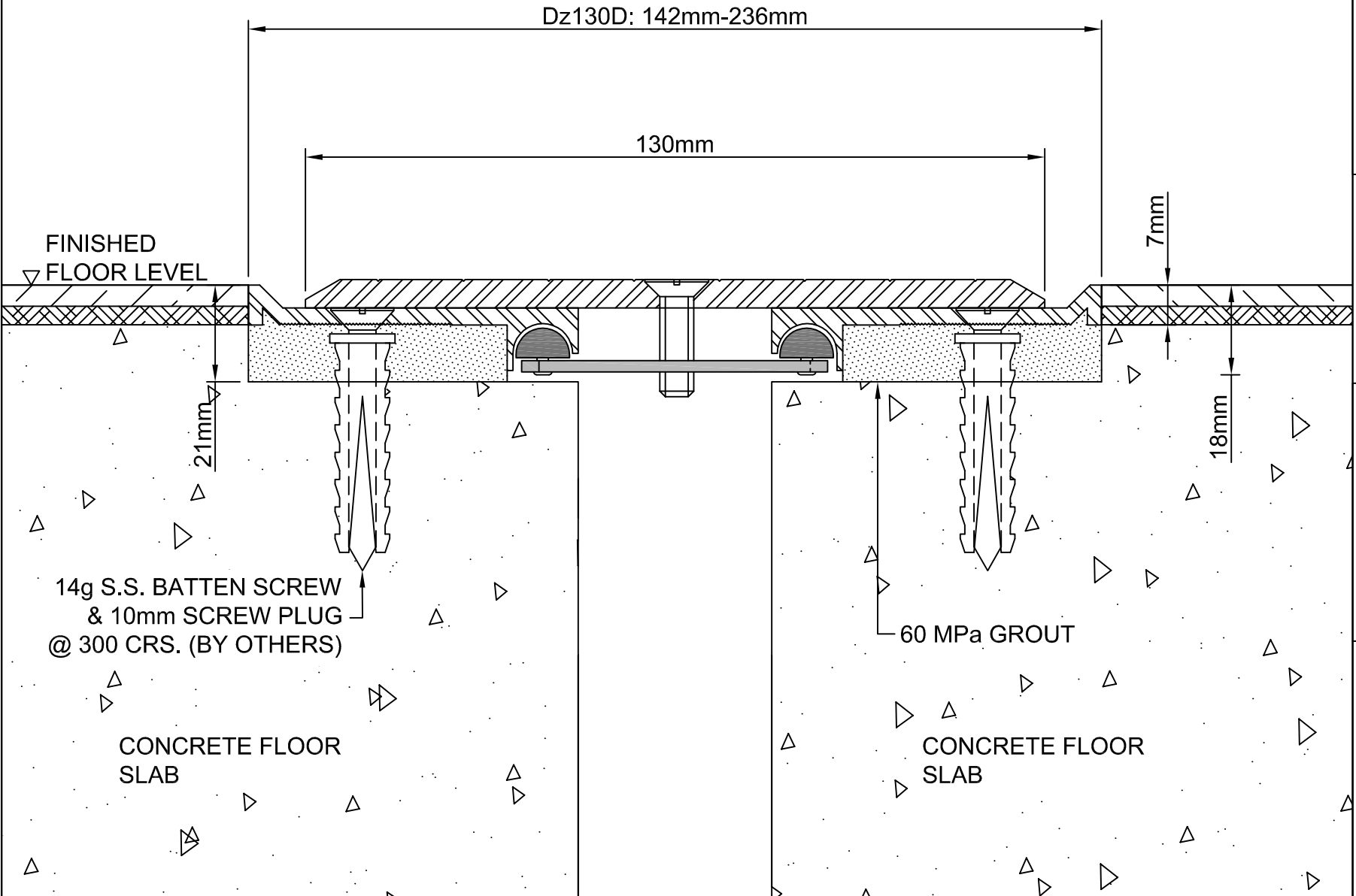
DZ130D
(UADJ130)

Project:

Material:

Anodised Aluminium

Do Not Scale



Disclaimer: All design rights reserved. Design and specifications are subject to change without notice. The manufacturer does not accept liability where the material on these pages is misconceived, exploited or lacks conformity. The intention of this information is to provide a reasonable description of products, procedures and capabilities. Rev.2