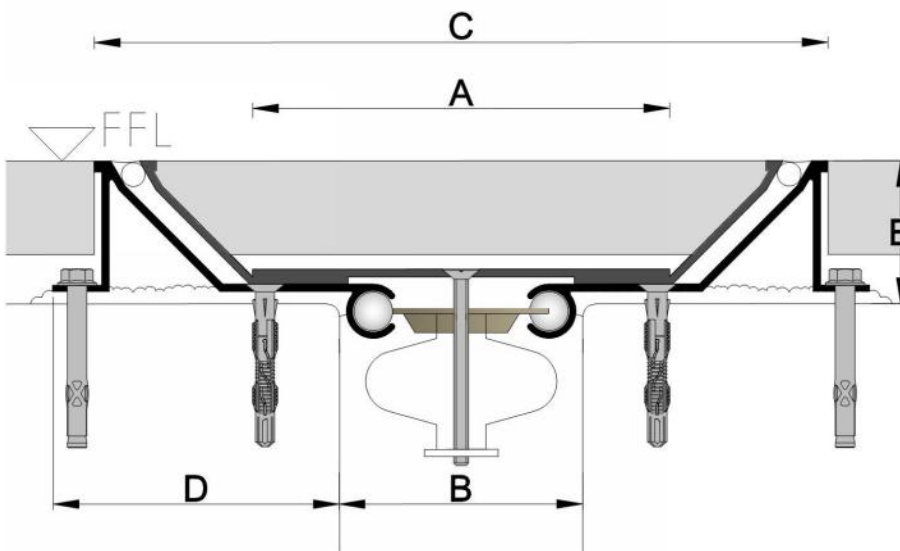
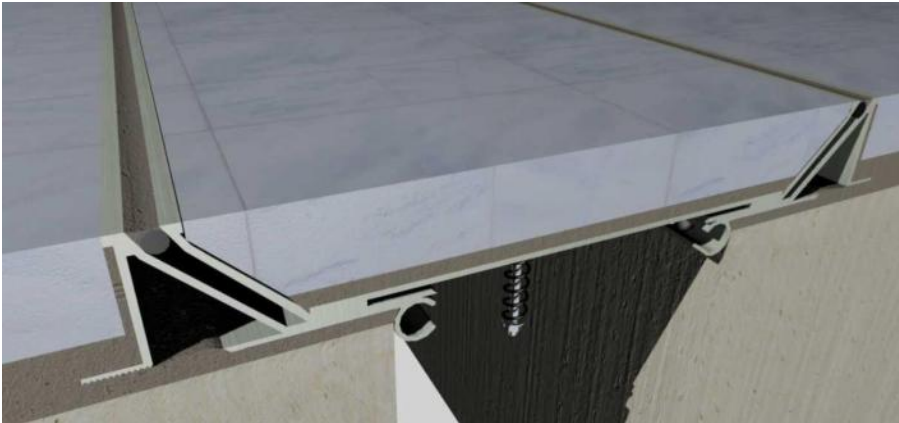


SeiMax T Coverplate EJs

SiT: An architectural floor expansion joint system. It has a deep 'pan' type coverplate to suit thick floor finishes such as terrazzo, granite, stone etc. The caulked edges split thermal movement in two, and minimise visual presence. SiT accommodates multi-directional and seismic movement. The system is finished in natural anodised alloy. The SiT is supplied fully assembled, including caulked edges for fast & simple installation. Suitable for use in commercial and government buildings such as shopping malls, airport terminals, convention and exhibition centres, hospitals.



Si T

Previous Model No: SUACT



Performance

- Thermal & seismic movement
- Concealed fixings
- Minimum visual impact
- High Capacity

Compatible Finishes

- Tiles
- Vinyl
- Stone
- Epoxy
- Terrazzo
- Exposed Concrete

Standard Length

4.8m

Standard Finish

Anodised Aluminium

Options



Product	A: Coverplate		B: Gap				C: Exposed Width			Seismic Move
	Width	Min.	Mid.	Max.	Mvmt.	Min.	Mid.	Max.		
Si170T	170	90	102	114	24	288	300	312	78	
Si270T	270	190	202	214	24	388	400	412	112	
Si370T	370	290	302	314	24	488	500	512	262	
Si170TL	170	90	102	114	24	243	255	267	78	
Si270TL	270	190	202	214	24	343	355	367	112	
Si370TL	370	290	302	314	24	443	455	467	262	

Block Out: 120D x 60E (95D x 40E for Si TL)

Disclaimer: All design rights reserved. Design and specifications are subject to change without notice. The manufacturer does not accept liability where the material on these pages is misconceived, exploited, or lacks conformity. The intention of this information is to provide a reasonable description of products, procedures and capabilities. Rev.1